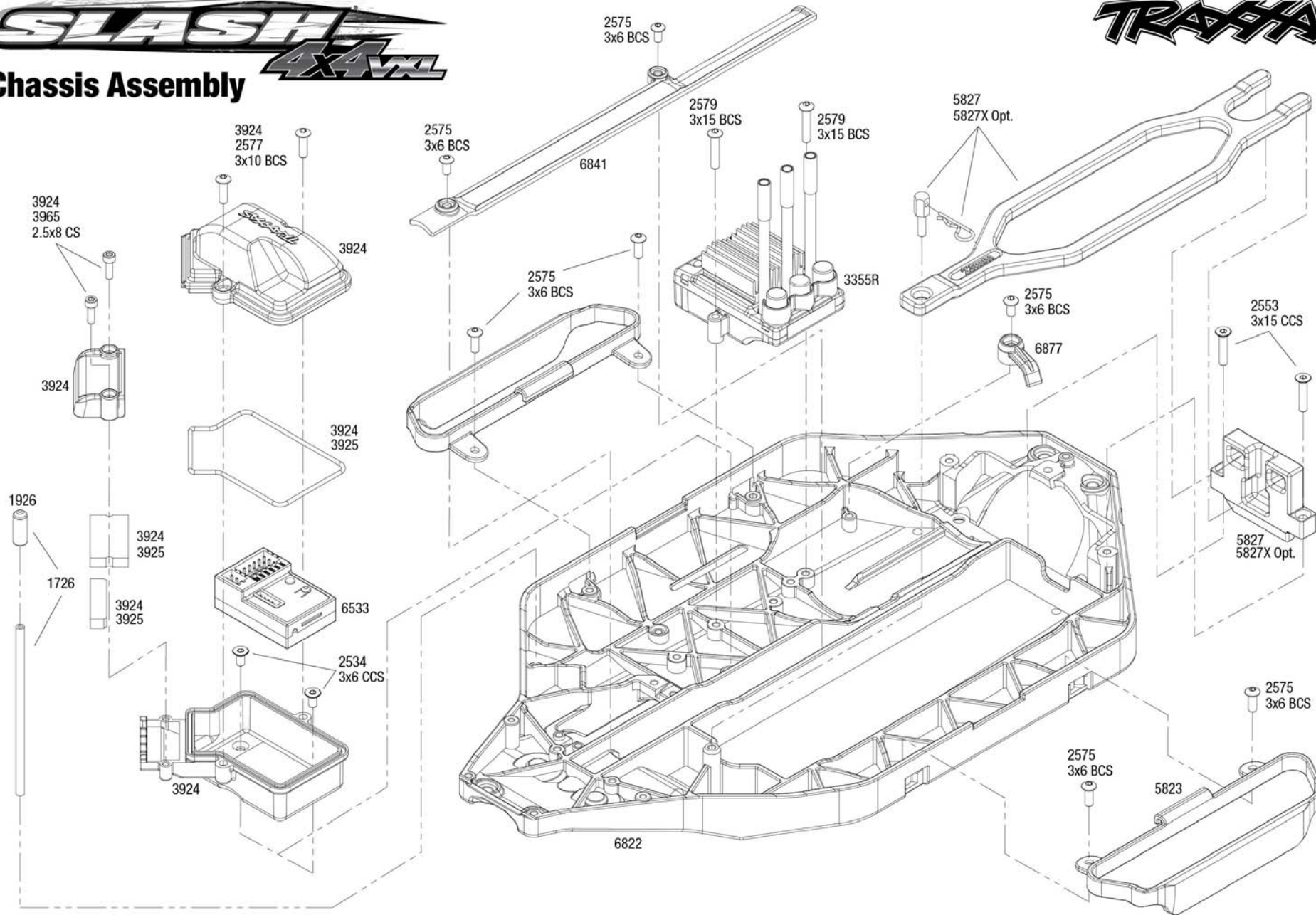


SLASH 4x4 VXL

Chassis Assembly



Specifications on this page are subject to change without notice. Every attempt has been made to ensure

See Parts List for a complete

REV 001/05 03/11