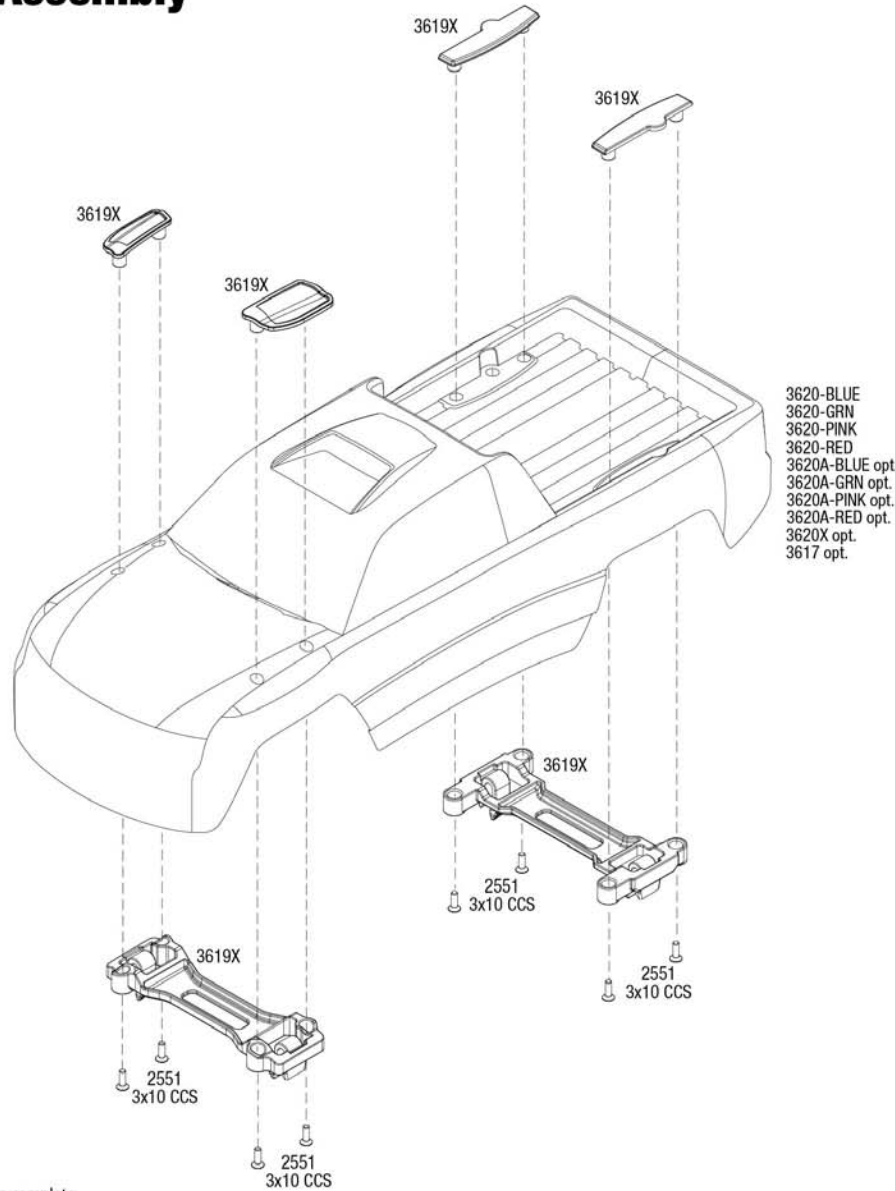


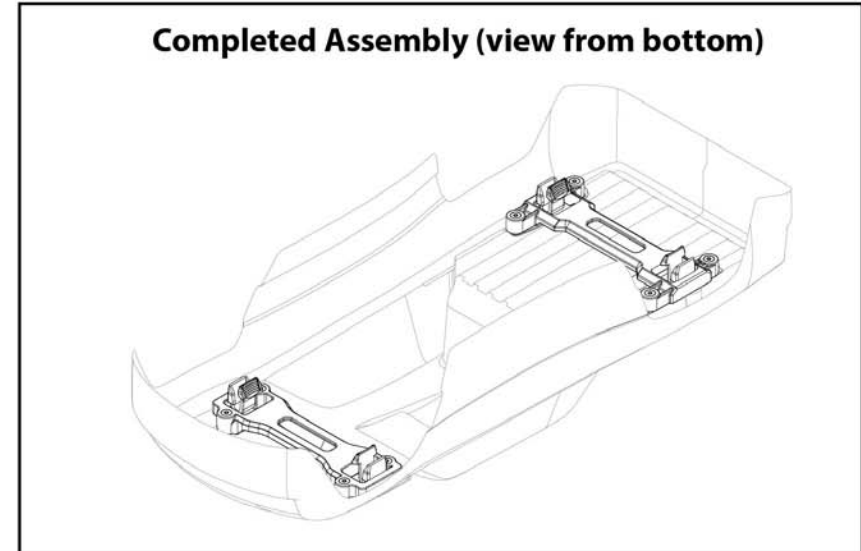
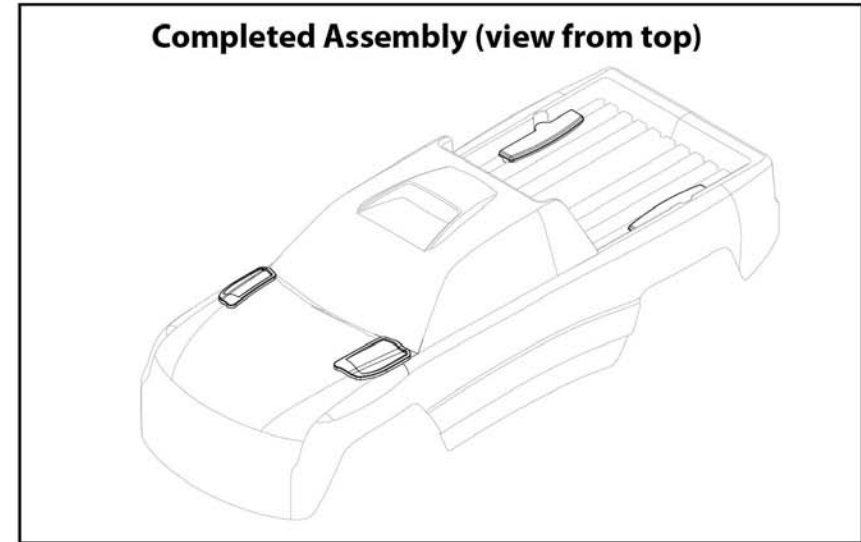
STAMPEDE

BRUSHLESS

Body Assembly



See Parts List for a complete listing of optional accessories.



REV 240503-R02



Specifications on this page are subject to change without notice. Every attempt has been made to ensure the accuracy of this document. Traxxas cannot be held responsible for typographical or other errors.