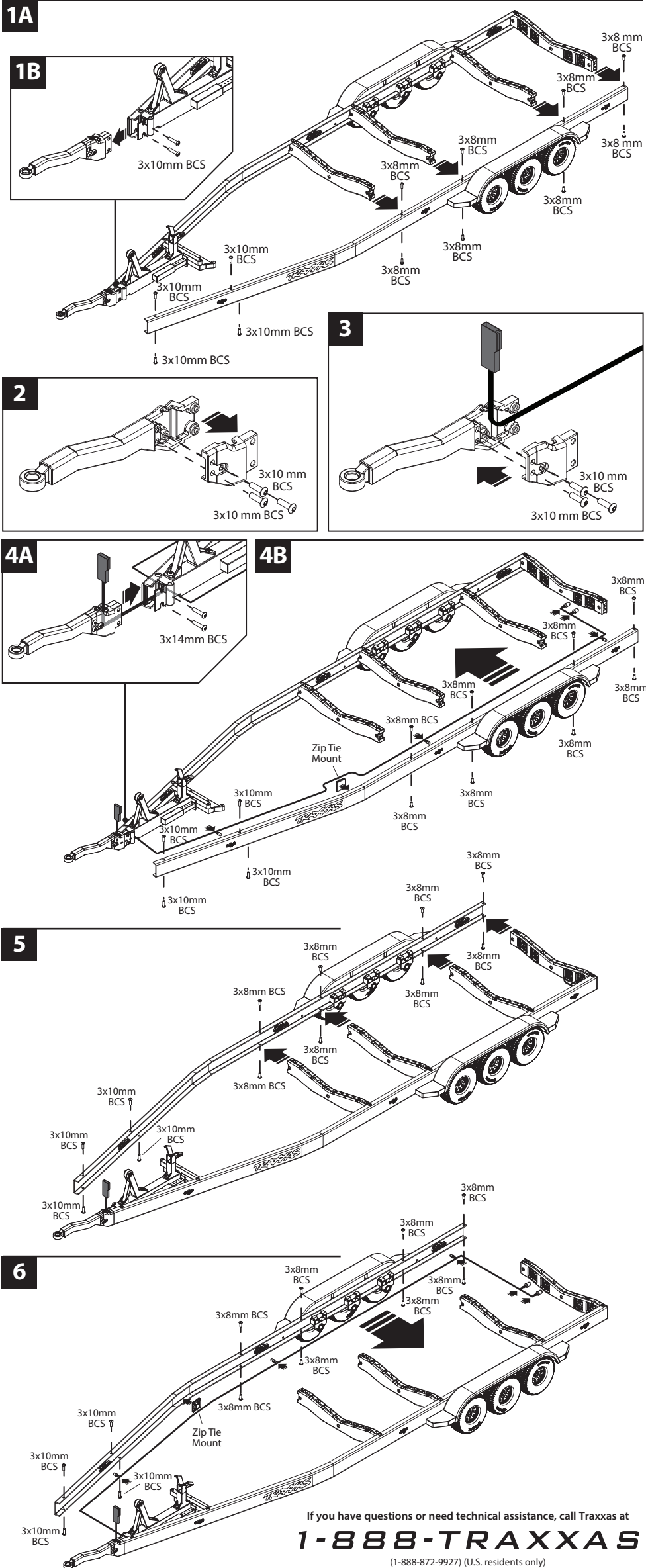




Boat Trailer LED Light Kit Installation Instructions

Covers Part #10349

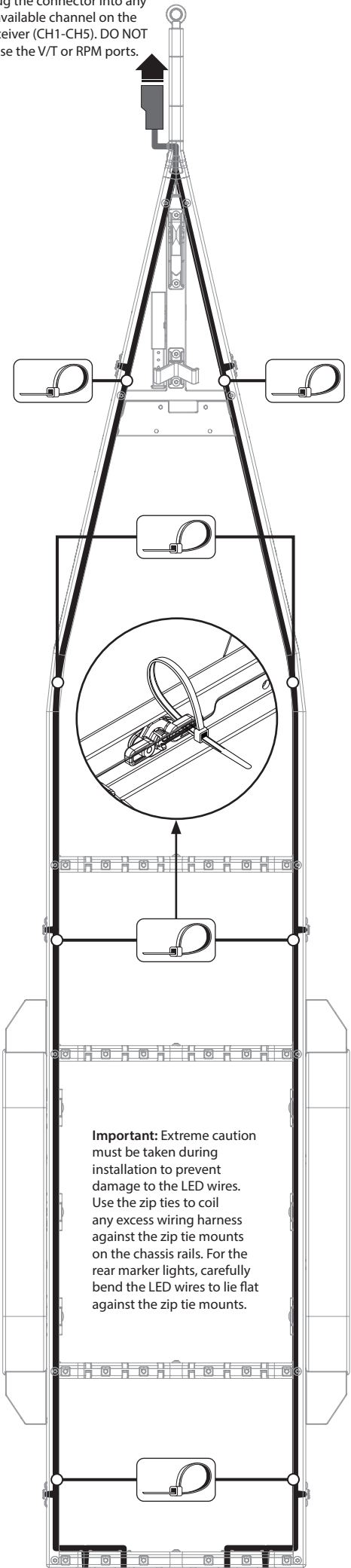


- Kit contents:**
- LED light harness
 - Extension harness
 - Zip ties (8)
 - Zip tie mounts (2)

- Tools required:**
- 2.0 mm hex wrench

Trailer Lights Wiring Diagram

Plug the connector into any available channel on the receiver (CH1-CH5). DO NOT use the V/T or RPM ports.



Important: Extreme caution must be taken during installation to prevent damage to the LED wires. Use the zip ties to coil any excess wiring harness against the zip tie mounts on the chassis rails. For the rear marker lights, carefully bend the LED wires to lie flat against the zip tie mounts.

If you have questions or need technical assistance, call Traxxas at
1-888-TRAXXAS

(1-888-872-9927) (U.S. residents only)

TRAXXAS.COM