



Wild GP Attack

ASSEMBLED READY-TO-RUN MODEL

Montageanleitung / Assembly

MONTAGEANLEITUNG • ASSEMBLY

LUFTFILTER WARTUNG • AIR FILTER MAINTENANCE

1



A059
Body Clip (6mm)

Air Filter Foam Element

A059

B091

2

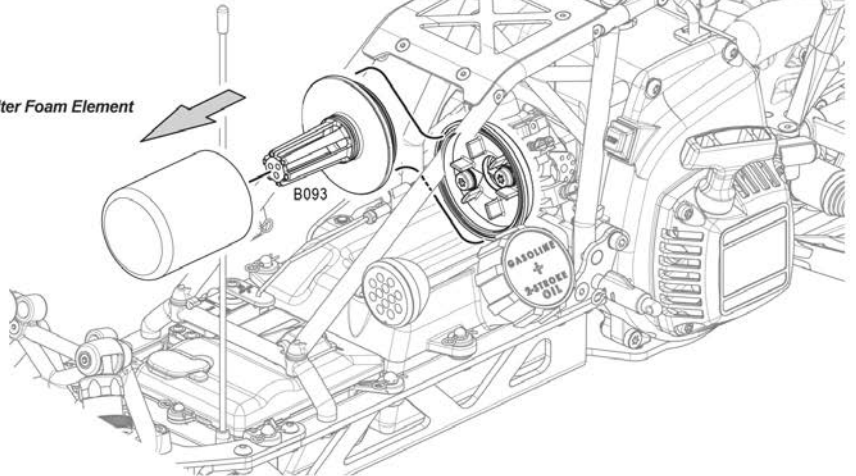
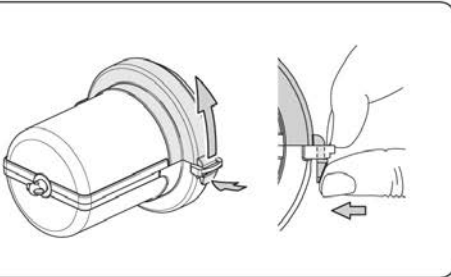
B094

B095

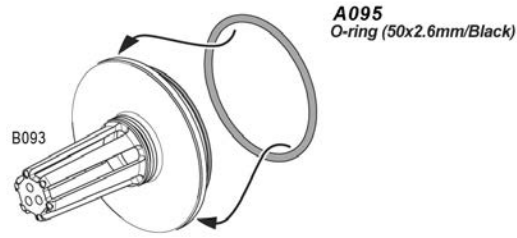
3

Air Filter Foam Element

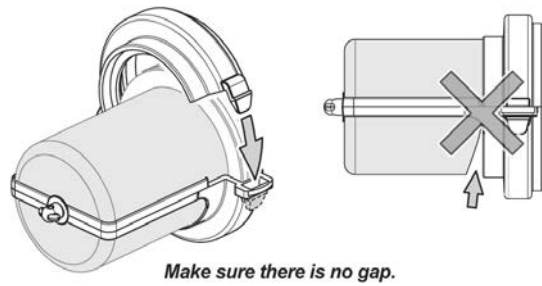
B093



O-RING AUSTAUSCH • O-RING REPLACEMENT

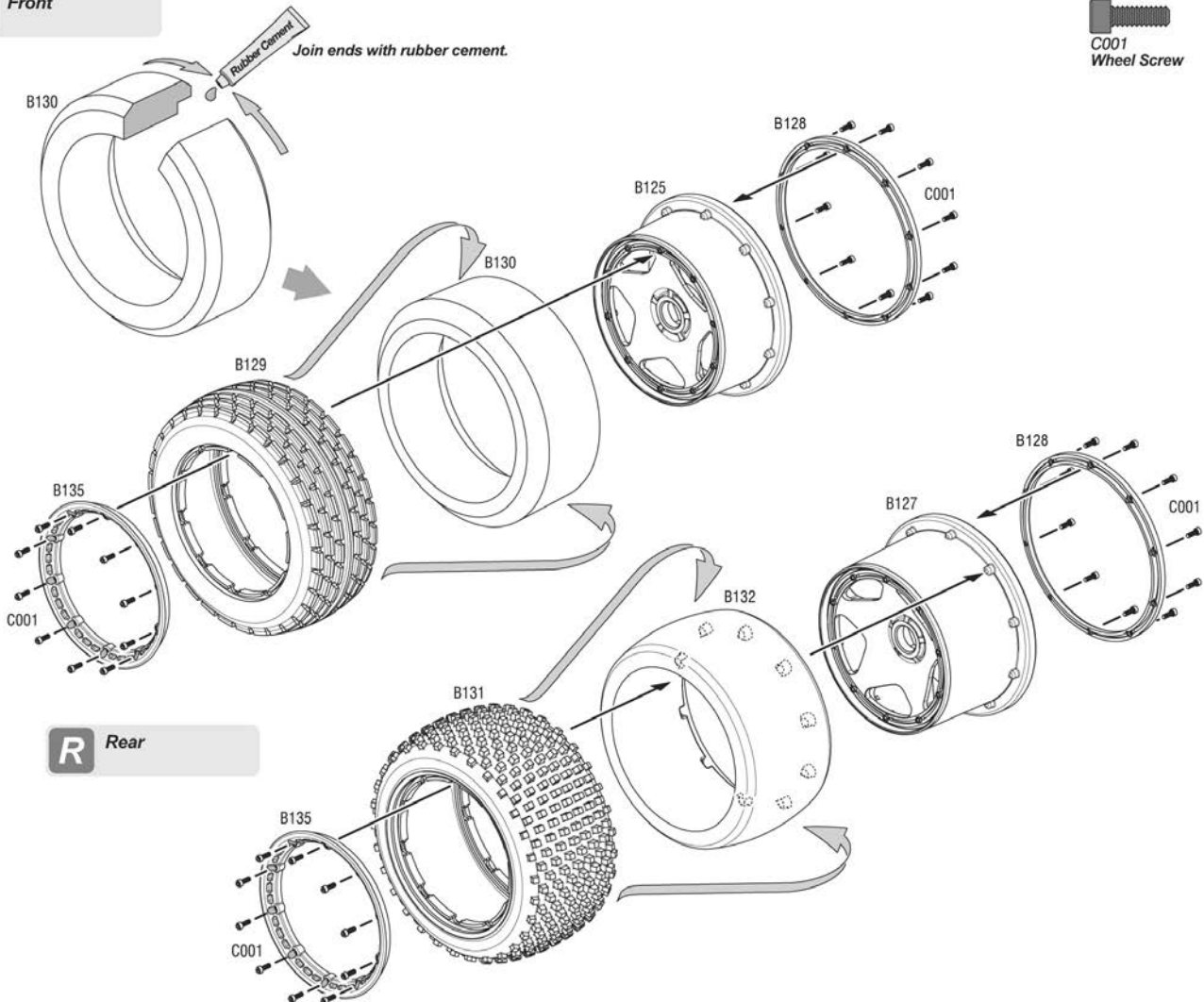


EINBAU SCHAUMSTOFF-FILTER • REINSTALLING THE FILTER ELEMENT



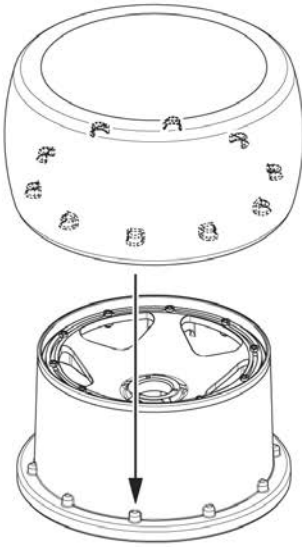
RÄDER WARTUNG • WHEEL MAINTENANCE

F Front

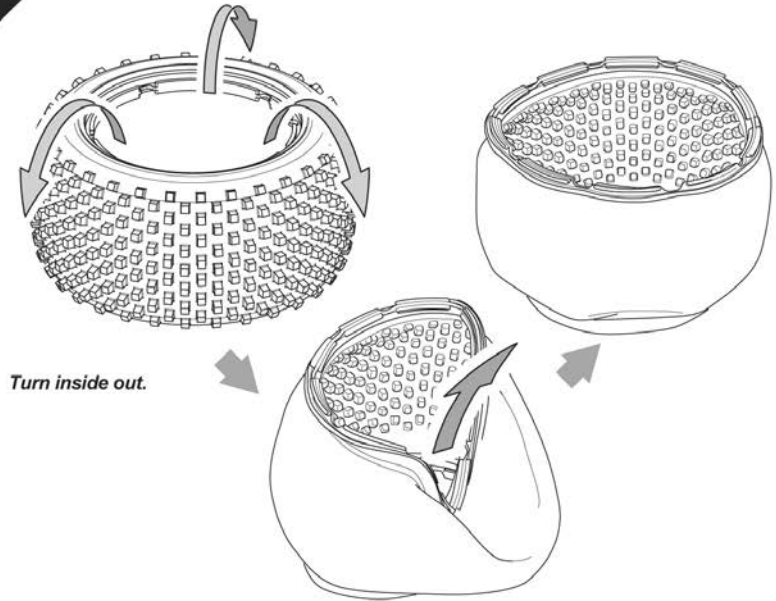


RÄDER MONTAGE • TIRE ASSEMBLY

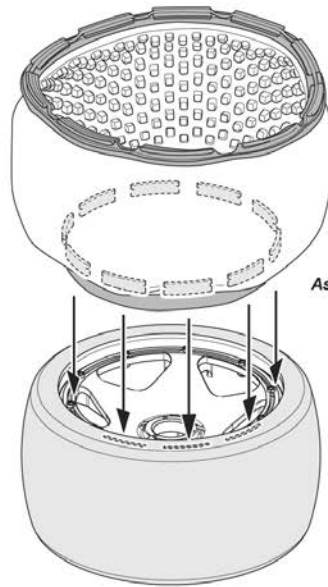
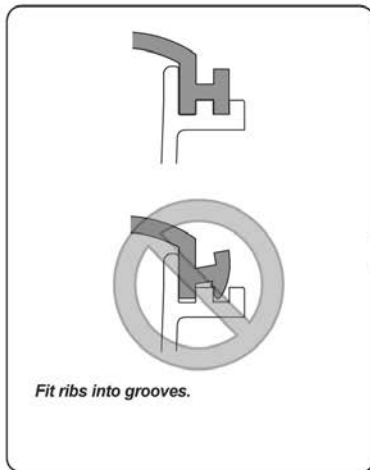
1



2

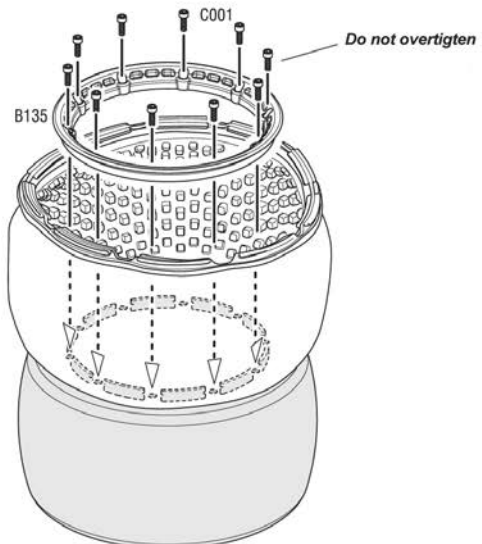
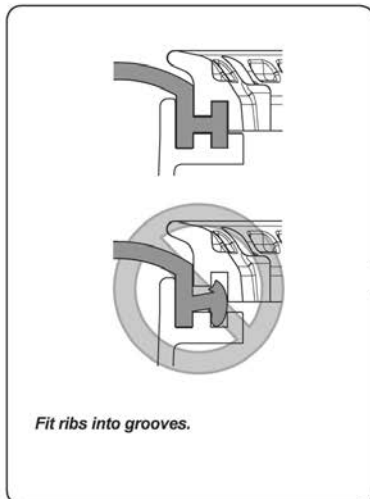


3

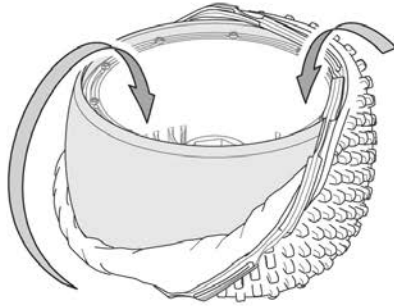
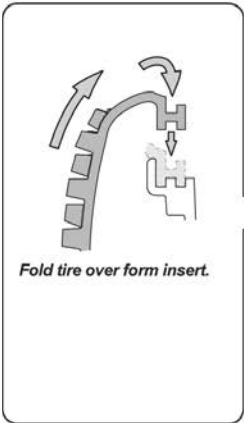


4

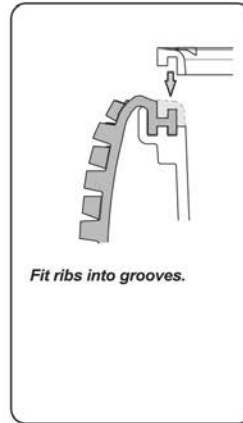

C001
Wheel Screw



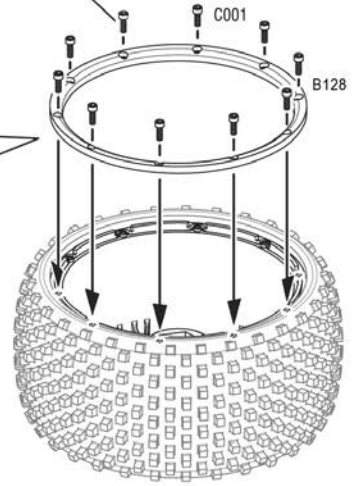
5



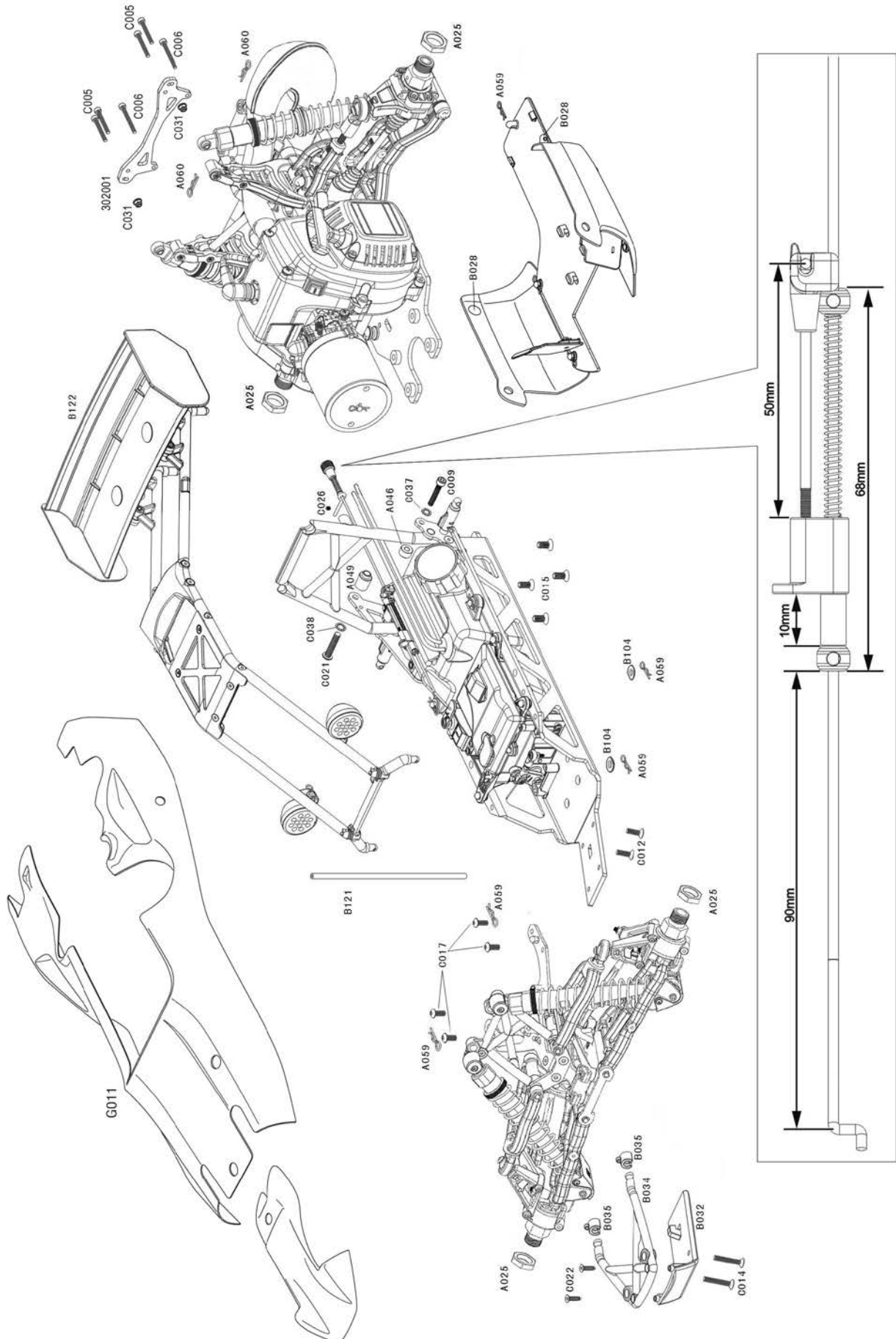
6



Do not overtighten

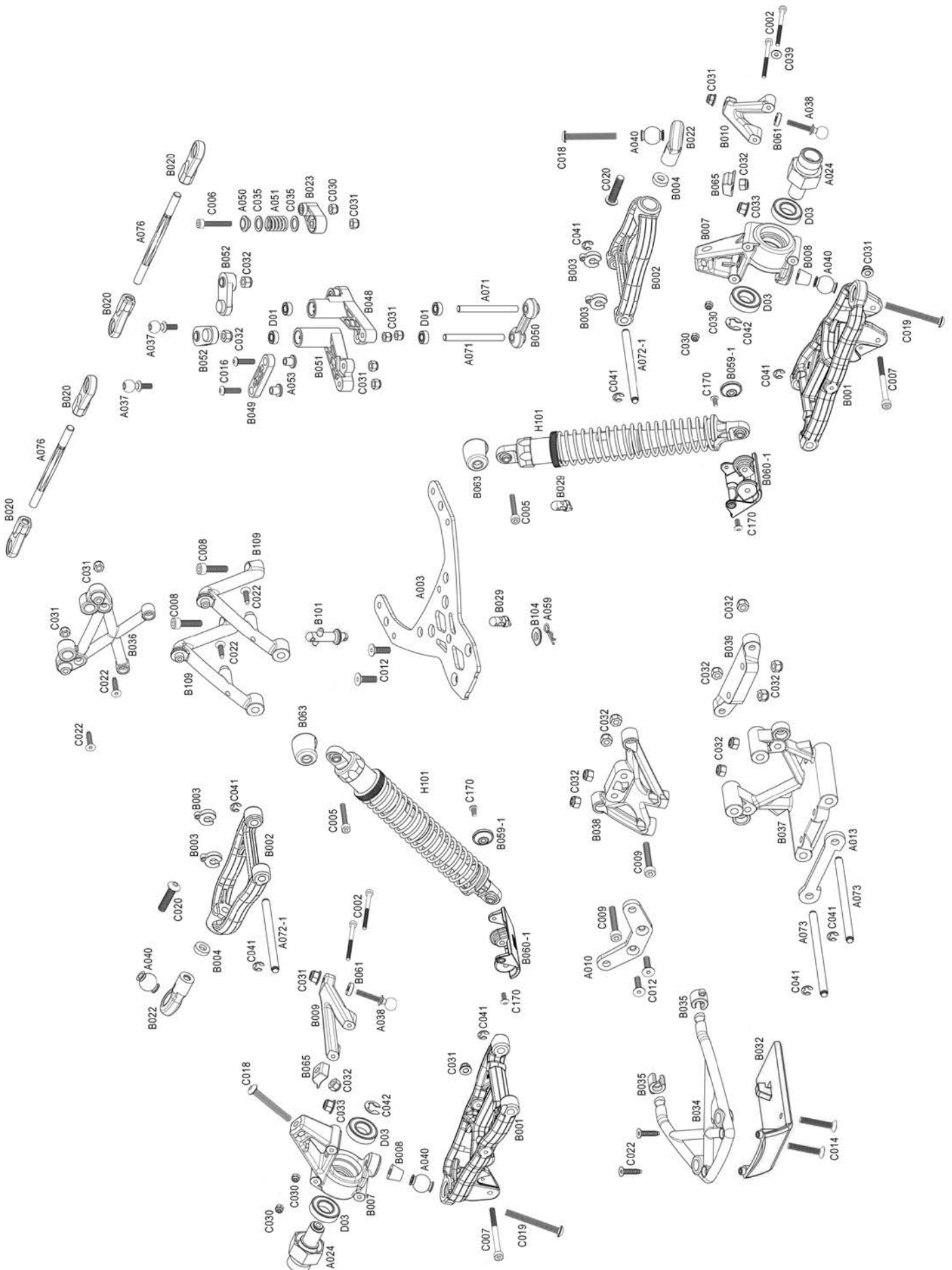


CHASSIS MONTAGE • CHASSIS ASSEMBLY



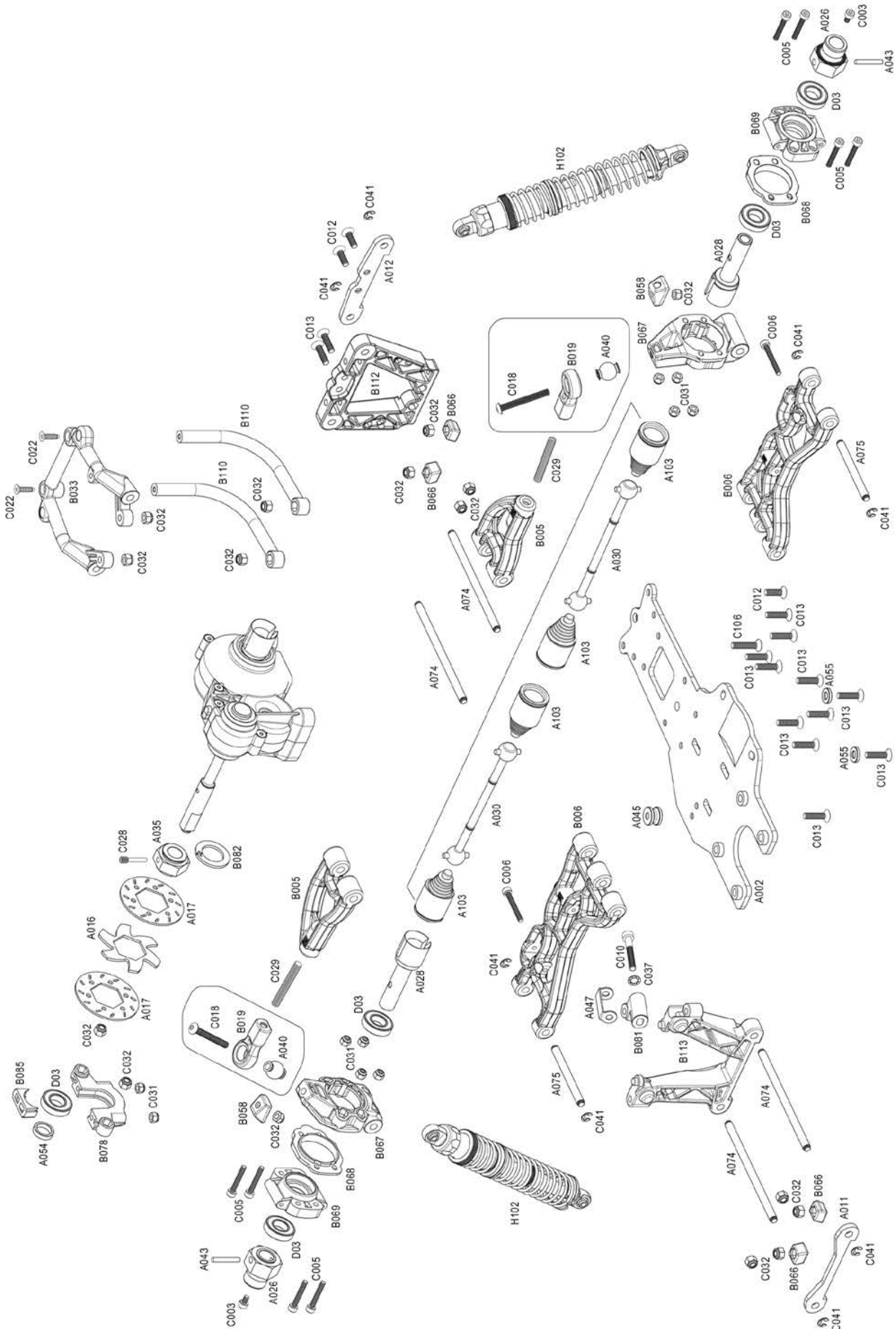
Montage

VORDERACHSE • FRONT ASSEMBLY



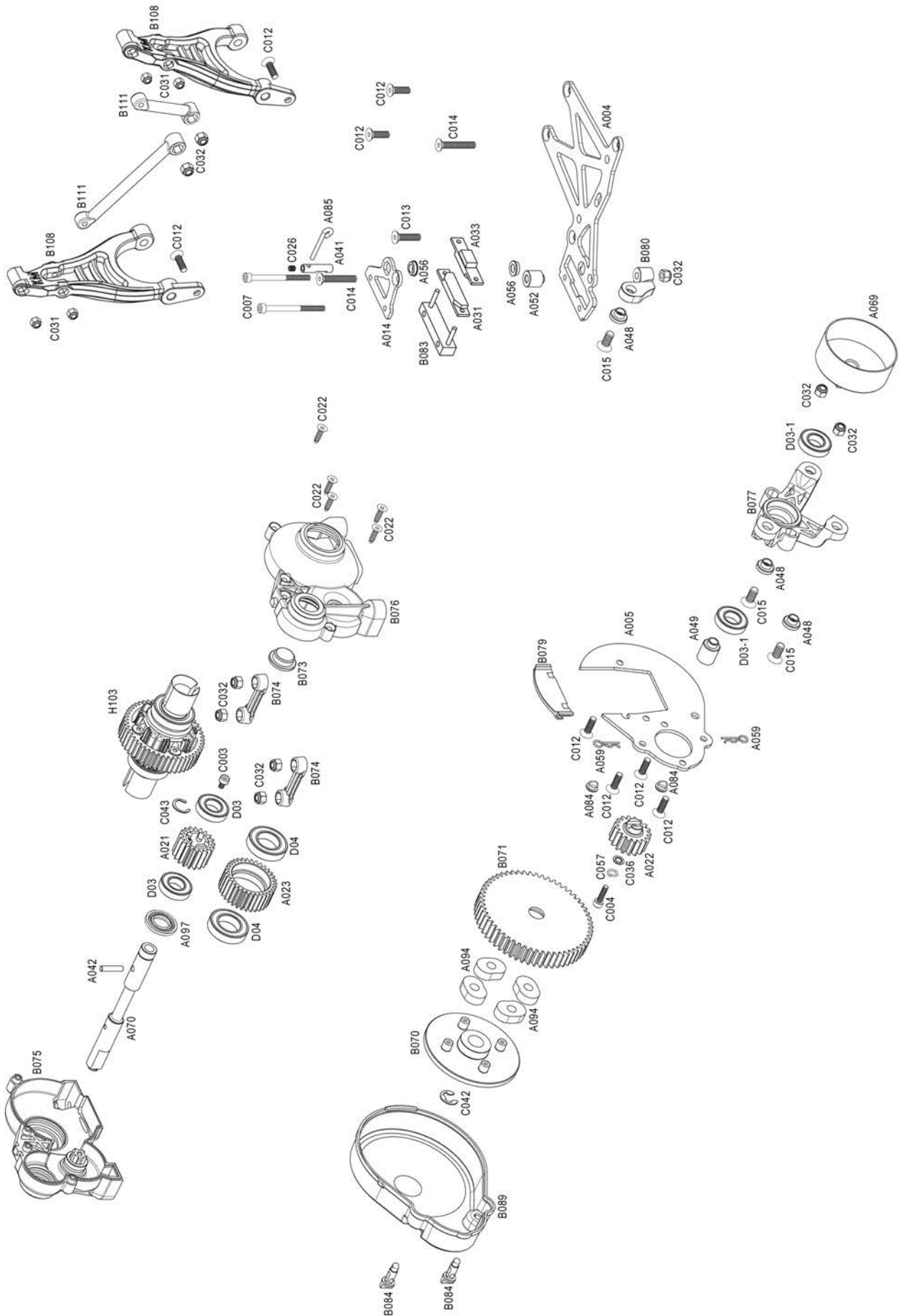
Montage

HINTERACHSE • REAR ASSEMBLY



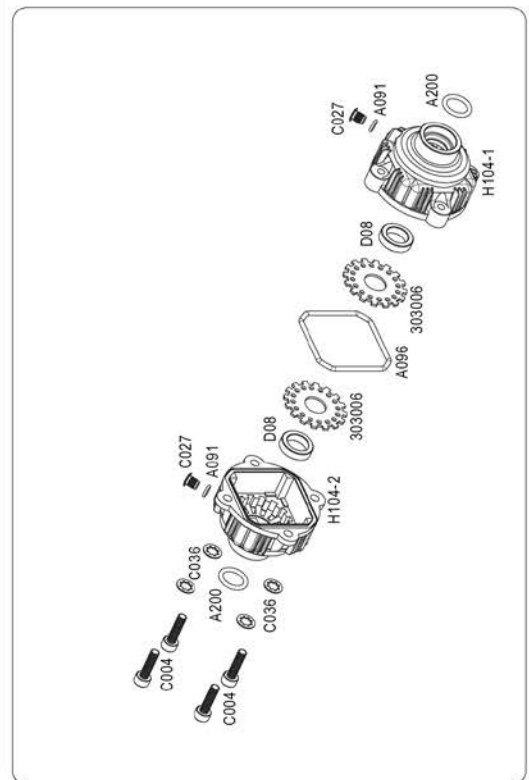
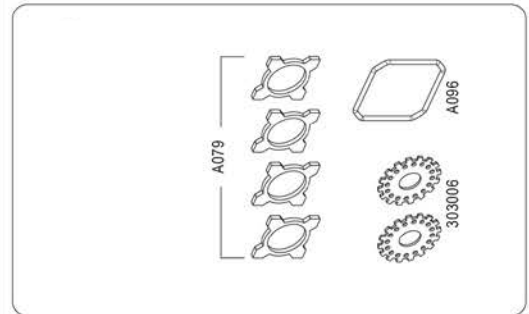
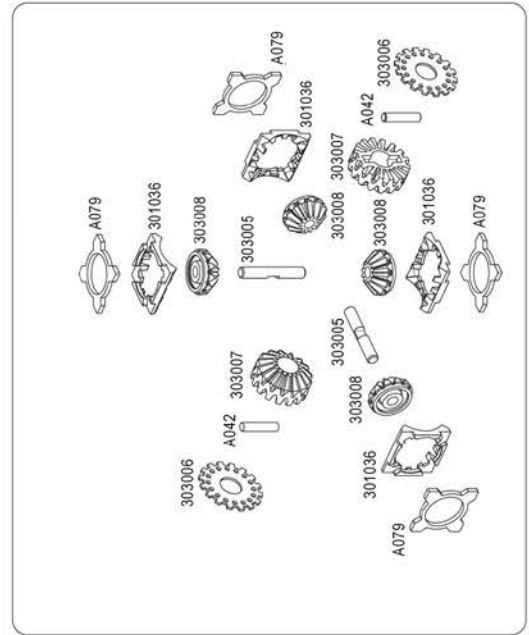
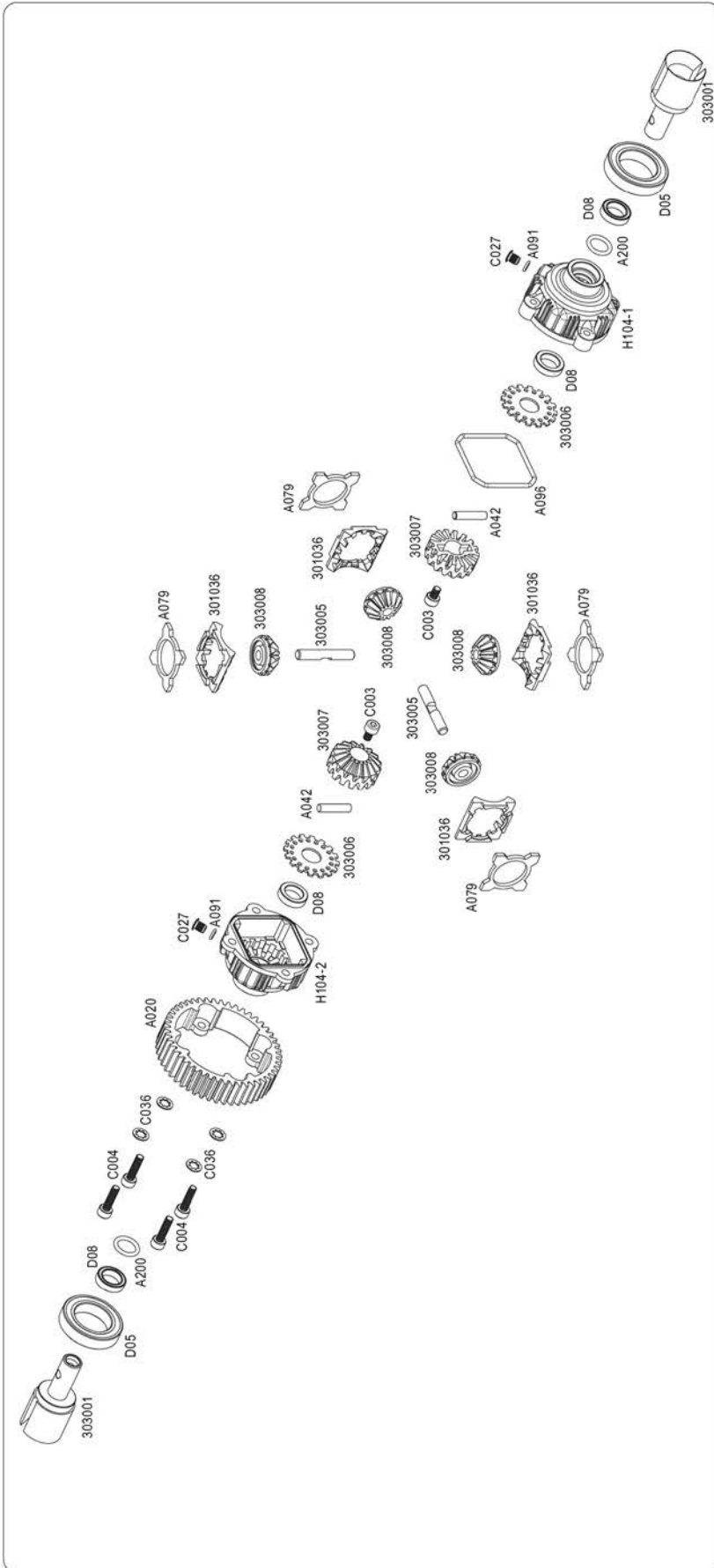
Montage

GETRIEBE / DIFFERENZIAL MONTAGE • GEAR BOX ASSEMBLY DIFFERENTIAL

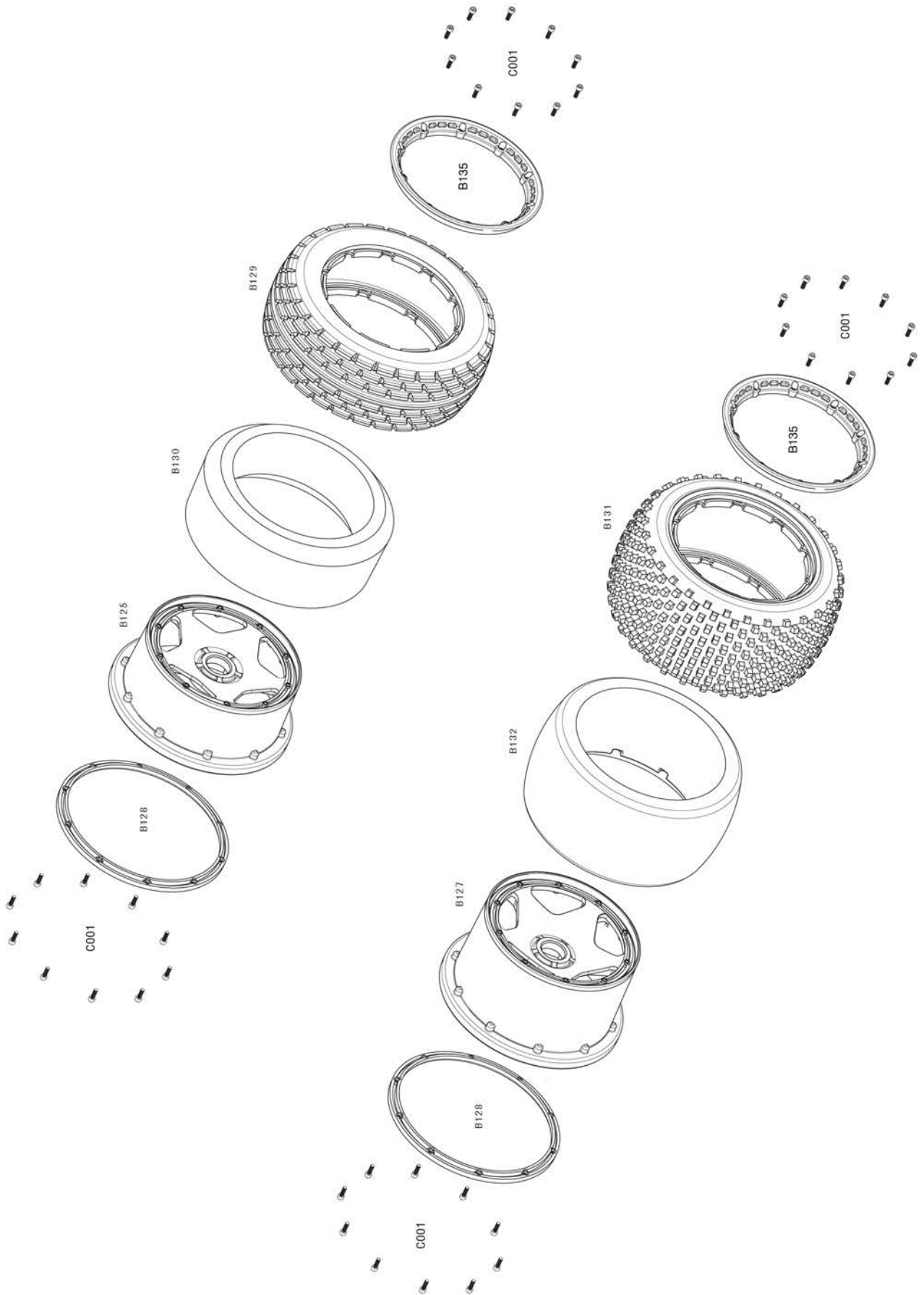


Montage

GETRIEBE MONTAGE • TRANSMISSION ASSEMBLY

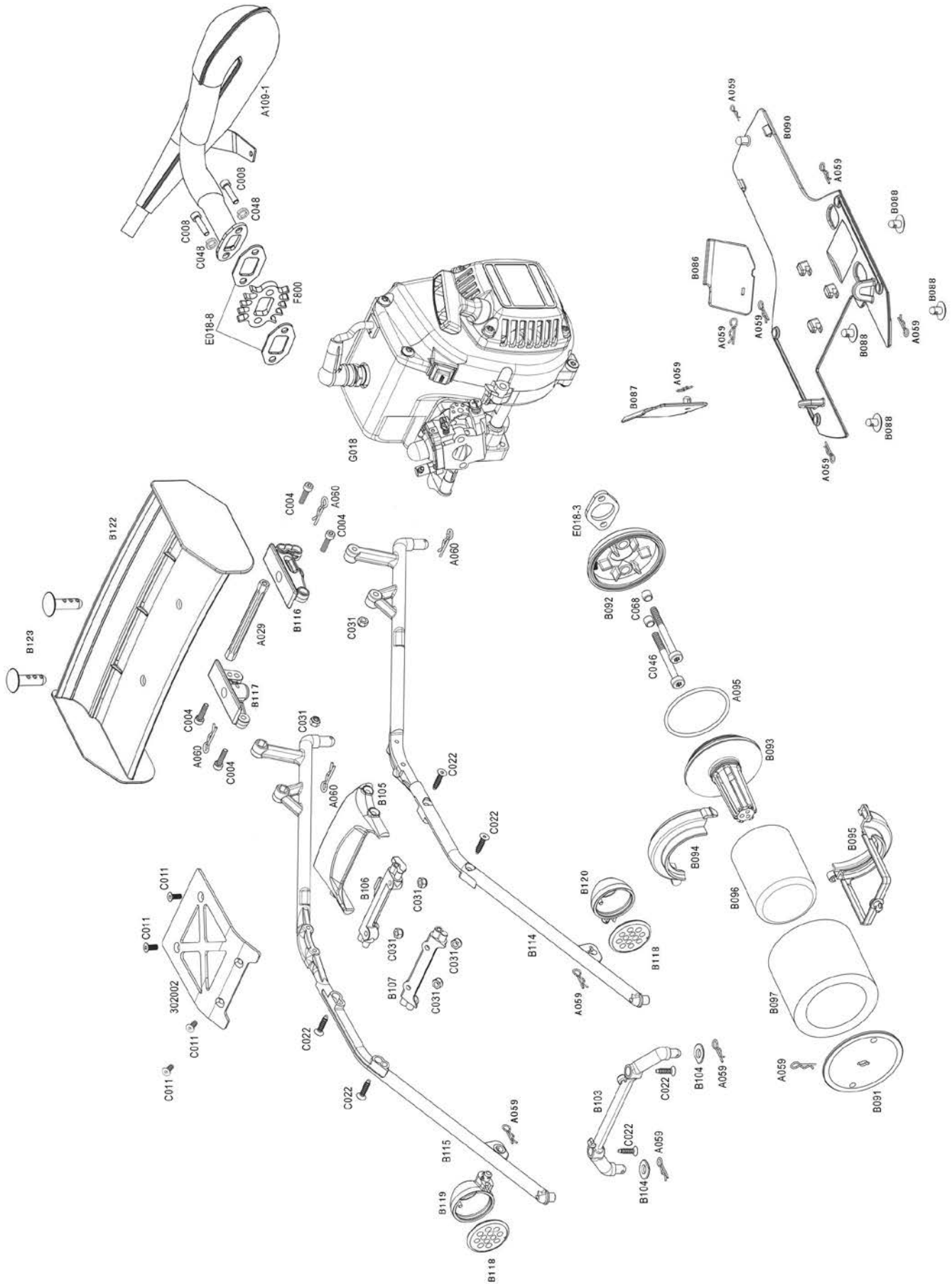


Montage



Montage

CHASSIS MONTAGE • CHASSIS ASSEMBLY



Montage



NOTIZEN / NOTES

A series of horizontal dotted lines for writing notes.

Montage

A series of horizontal dotted lines spanning the width of the page, providing a guide for handwriting practice.



TAMIYA-CARSON
Modellbau GmbH & Co. KG

Werkstraße 1 // D-90765 Fürth // www.carson-modelsport.de

+49 36757333343

Service-Hotline for Germany: Mo - Do 8.00 - 16.00 Uhr // Fr 8.00 - 12.30 Uhr

CARSON-Model Sport // Abt. Service // Mittlere Mutsch 9 // 96515 Sonneberg